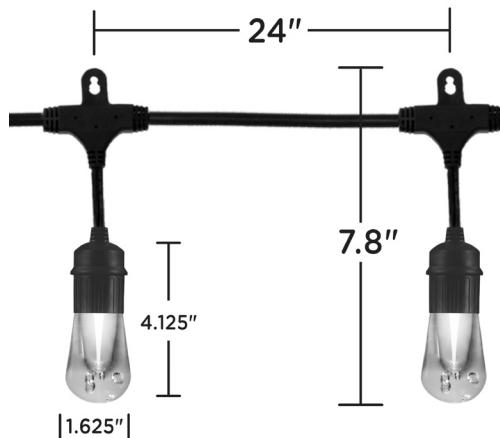


Vintage LED Cafe Lights

enbrighten®



Specifications

- 120 Volt
- LED
- 1 Watt per bulb
- 2200K warm white
- Weather-proof
- Impact-resistant bulbs
- Non-dimmable
- Lifetime Guarantee

Design Features

- Indoor/Outdoor
- 24ft.
- Vintage bulb design
- Commercial grade

Additional Installation Information

- The Perfect Ambience : Adds sophisticated, visually pleasing atmosphere to any indoor or outdoor space, including backyards, porches, balconies, decks, patios, pergolas, gazebos, cafes, bars, restaurants and more

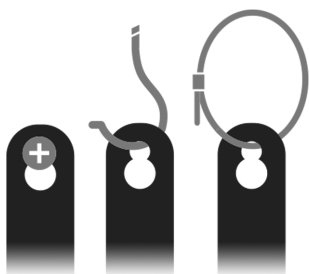
enbrighten®
GUARANTEE
Lighting For Life

NEVER REPLACE A BULB AGAIN

WEATHER PROOF
Commercial grade and UL-rated for permanent outdoor installation

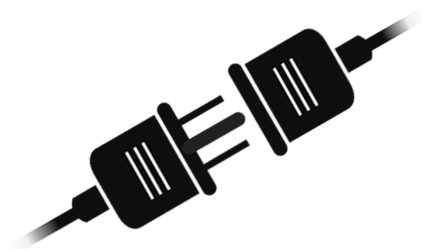
IMPACT RESISTANT
Durable acrylic bulbs won't break if dropped, stepped on, or in severe weather.

120V | LED | 1WATT PER LIGHT | 2200K WARM WHITE



EASY INSTALLATION AND FLEXIBLE MOUNTING OPTIONS

Mounting on a flat surface or hang from above.
(Mounting hardware not included)



CONNECT MULTIPLE STRINGS

Heavy-duty, grounded cord plugs into any standard outlet. Link multiple Café Lights™ up to 750 feet.

Related Products - MyTouchSmart Outdoor Digital Timers



41015
Landscape Puck Lights



41366
Landscape Mini Puck Lights



35631
Vintage String Lights
White Only



39845
myTouchSmart Wi-Fi Timer



48366
USB-Powered Café Lights

Certifications & Compliances



Compliances, specifications and availability are subject to change without notice.

Distributed by Jasco Products Company LLC
10 E. Memorial Rd., Oklahoma City, OK

Questions? Contact our U.S.-based Consumer Care at
1-800-654-8483 between 7AM-8PM, M-F, Central Time.