

Classic LED Café Lights 12 Acrylic Bulbs, 24ft

enbrighten®





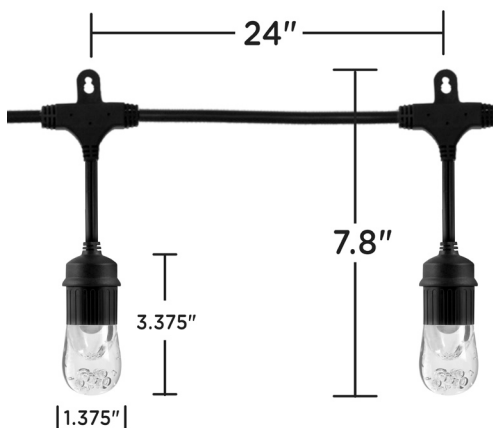
enbrighten®
GUARANTEE
Lighting for Life

NEVER REPLACE A BULB AGAIN

WEATHER PROOF
Commercial grade and UL-rated for permanent outdoor installation

IMPACT RESISTANT
Durable acrylic bulbs won't break if dropped, stepped on, or in severe weather.

120V | LED | **1WATT** PER LIGHT | **2700K** WARM WHITE



Specifications

Length of fixture: 24' **Nominal wattage:** 12

Voltage: 120 **Hertz:** 60 **CCT:** 2700K

Max linkable: 750ft **Lifetime:** 50,000 hours

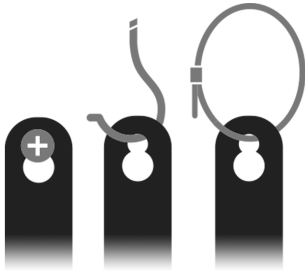
Warranty: 3-year limited warranty

Design Features

- **Durability with Style** – These 12 commercial grade, impact resistant UL-listed acrylic Edison-style bulbs won't break if dropped or stepped – fully designed for permanent installation and to withstand year-round exposure to the elements
- **Lifetime LED** – Enbrighten Café Lights are designed to last and outshine the competition with premium long-life, cool to the touch and energy-efficient LEDs, which means no bulbs to replace
- **Installation Made Simple** – Easy to install with flexible mounting options - mount on a flat surface or hang from above (mounting hardware not included)
- **Effortless Connection** – Linkable up to 750 feet, each strand of Café Lights has end-to-end connections, meaning you can link multiple sets to achieve the perfect length for any installation, giving you true customizable flexibility for your setup

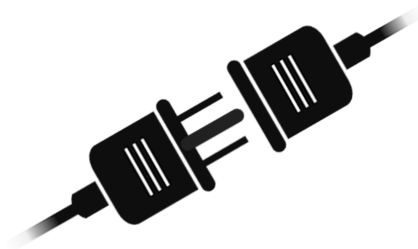
Installation Recommendations

- Enbrighten Café Lights deliver warm white, attractive light and unprecedented energy efficiency with a light source you never have to replace. They feature lifetime LED bulbs that never need to be replaced and are made from unbreakable acrylic that can withstand a ten-foot drop and are weatherproof, making them perfect for use year-round. Enbrighten LED Café Lights include 12 bulbs on a 24-foot string and are linkable up to 750 feet, so you will be sure to have as much light as needed to illuminate any space. This product is UL-listed for permanent indoor/outdoor installation and is backed by a limited-lifetime LED warranty. Experience lighting for life with Enbrighten Café Lights.



EASY INSTALLATION AND FLEXIBLE MOUNTING OPTIONS

Mounting on a flat surface
or hang from above.
(Mounting hardware not included)



CONNECT MULTIPLE STRINGS

Heavy-duty, grounded cord
plugs into any standard outlet. Link
multiple Café Lights™ up to 750 feet.

Certifications & Compliances



Compliances, specifications and availability
are subject to change without notice.

Distributed by Jasco Products Company LLC
10 E. Memorial Rd., Oklahoma City, OK

Questions? Contact our U.S.-based Consumer Care at
1-800-654-8483 between 7AM-8PM, M-F, Central Time.

©Jasco 2021