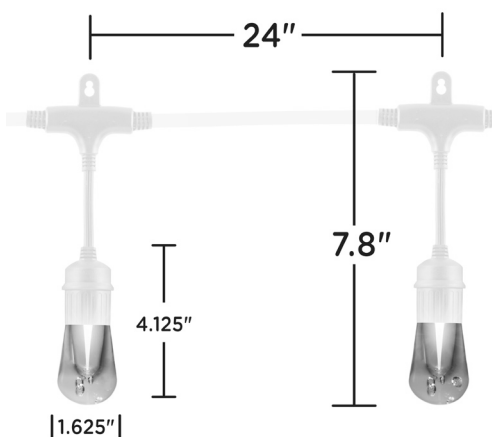


Seasons Vintage LED Color-Changing Café Lights 24 Acrylic Bulbs, 48ft

enbrighten®



Specifications

Length of fixture: 48' **Nominal wattage:** 24

Voltage: 120 **Hertz:** 60 **CCT:** 2200K

Max linkable: 750ft **Lifetime:** 50,000 hours

Warranty: 3-year limited warranty

Design Features

- **Charming Ambience** – Adds the perfect white ambient light style to either outdoor or indoor environments. Ideal for backyard, porch, balcony, deck, patio, pergola, parties, camping and more
- **Color Changes Everything** – Offers choice of 16 colors, seemingly endless 2-color combinations and a variety of preset modes for special occasions, holidays, tailgating and more – all of which can be selected, dimmed and timed via included wireless remote
- **Durability with Style** – 24 durable acrylic Edison-style bulbs are impact-resistant and won't break if dropped, stepped on or blown around in the wind. Commercial-grade construction and UL listed for permanent indoor and outdoor installation
- **Lifetime LED** – Enbrighten cafe lights are designed to last and outshine the competition with premium long-life, cool to the touch and energy-efficient LEDs, which means no bulbs to replace
- **Effortless Connection** – Linkable up to 750 feet, each strand of Enbrighten Cafe Lights has end-to-end connections, meaning you can link multiple sets to achieve the perfect length for any installation

Installation Recommendations

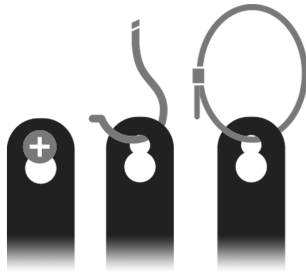
- Choose vibrant colors for any special occasion or holiday, celebrate your favorite sports teams or choose warm vintage white for beautiful year-round installations with a premium design. These carefully crafted Edison-style café lights boast the functionality and commercial grade durability of the classic model with the stylish twist of selectable color modes. Enbrighten Seasons Cafe LED Lights include 24 bulbs on a 48-foot string and are linkable up to 750 feet, so you will be sure to have as much light as needed to illuminate any space. In addition to the 16 color choices and two-color combinations, the impact resistant bulbs can also exude a soft, amber glow, creating an instantly warm atmosphere to any location. With your lighting needs taken care of for life, you can experience endless possibilities with Enbrighten Cafe LED Lights!



PAIRABLE LONG-RANGE REMOTE CONTROLS MULTIPLE LIGHTS*

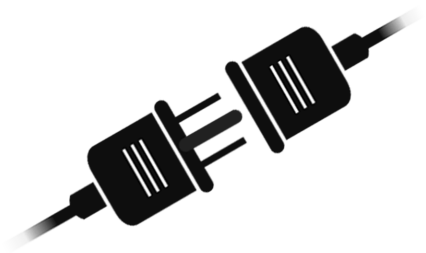
Control from an array of assorted colors, effects or preset color combinations.

* Pairable long-range remote can control multiple sets of Enbrighten Landscape or Café lights.



EASY INSTALLATION AND FLEXIBLE MOUNTING OPTIONS

Mounting on a flat surface or hang from above.
(Mounting hardware not included)



CONNECT MULTIPLE STRINGS

Heavy-duty, grounded cord plugs into any standard outlet. Link multiple Café Lights™ up to 750 feet.

Certifications & Compliances



Compliances, specifications and availability are subject to change without notice.

Distributed by Jasco Products Company LLC
10 E. Memorial Rd., Oklahoma City, OK

Questions? Contact our U.S.-based Consumer Care at
1-800-654-8483 between 7AM-8PM, M-F, Central Time.

©Jasco 2021