



WARNINGS TO REDUCE THE RISK OF FIRE, ELECTRIC SHOCK OR INJURY TO PERSONS:

WARNING

Risk of electric shock

- Do not use in wet locations.
- Use indoors only.
- Turn power off before servicing -- see instructions.
- Use only insulated staples or plastic ties to secure the cords.
- Route and secure the cords so that they will not be pinched or damaged.

Risk of burn

- Allow bulb to cool before handling.

Bulb may shatter and cause injury if broken

- Do not use excessive force when installing bulb.

Risk of Fire

- A maximum of 10 fixtures can be added to or linked together in an existing circuit.
- Not intended for illumination of aquariums.
- Not intended for recessed installation in ceilings or soffits.
- Not intended for surface installation inside built-in furnishings such as kitchen cabinets, china cabinets, or trophy cases.
- Do not conceal power supply cord inside a wall, ceiling, soffit, kitchen cabinet, or similar permanent structure.
- Do not run the power supply cord through holes in walls, ceilings, or floors.

SAVE THESE INSTRUCTIONS IN A LOCATION CLOSE TO YOUR CABINET SO YOU CAN REFER TO THEM AT A LATER TIME.

IMPORTANT SAFETY INSTRUCTIONS

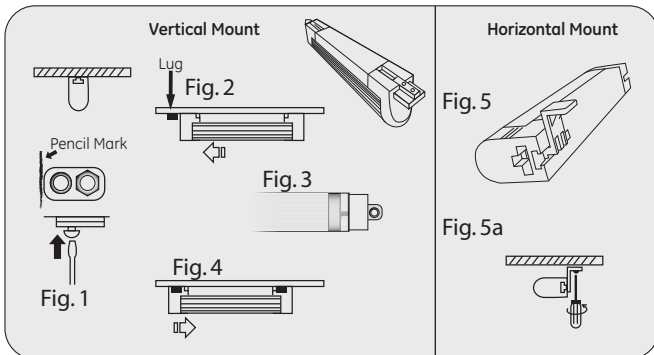
This portable lamp has a polarized plug (one blade is wider than the other) as a feature to reduce the risk of electric shock. This plug will fit in a polarized outlet only one way. If the plug does not fit fully in the outlet, reverse the plug. If it still does not fit, contact a qualified electrician. Never use with an extension cord unless plug can be fully inserted. Do not alter the plug. Read entire installation procedure before you begin.

INSTALLATION PROCEDURE - Suitable for under-cabinet mounting

- 1) Consult a local licensed electrician or electrical contractor if you are not sure about the installation.
- 2) DO NOT ATTEMPT TO INSTALL FIXTURE WHILE PLUGGED IN.
- 3) Select a suitable dry mounting location (for use indoors only). Make sure mounting surface is capable of supporting the fixture.
- 4) It is recommended that a 1/16" (.15 cm) pilot hole be drilled in the mounting surface for wood screws.

Vertical Mounting Position

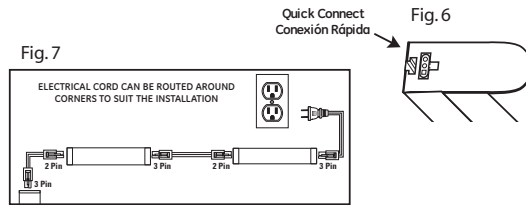
- 5) Place the fixture in a location where you want it mounted. Make sure the switch will be accessible when the fixture is mounted. Mark the position of the fixture on one end, with a pencil. This will be the outer most edge of the fixture. **See Figure 1.** Place the lug on the inside of the line and affix with the screw provided, through the round hole, to the mounting surface.
- 6) Slide the fixture over the mounted lug until it stops. **See Figure 2.**
- 7) Place the other lug slightly inside the track at the opposite end of the fixture, so the outer most round mounting hole is visible. **See Figure 3**
- 8) Using the second screw provided, affix the second lug to the mounting surface.
- 9) Slide the fixture back over the second lug so that both lugs are hidden completely from view. **See Figure 4.**



Horizontal Mounting Position

- 5) Place the fixture in a location where you want it mounted. Mark the position of the fixture on one end with a pencil. This is a reference mark. This will be the outer most edge of the fixture. Make sure the switch will be accessible when the fixture is mounted. Slide the first right angle lug into the end of the fixture as far as it will go. **See Figure 5.** Using the first screw provided, affix the first lug to the mounting surface. **See Figure 5a.**
- 6) Place the second right angle lug inside the track at the opposite end of the fixture. Slide the lug in as far as it will go. Using the second screw provided, affix the second lug to the mounting surface. Proceed to Step 10.

- 10) Attach each individual fixture with the 18" (45.72 cm) quick connect cord provided in the installation kit. A maximum of 10 fixtures can be connected together. **See Figure 6 and Figure 7.** (See product label located on the fixture for electrical rating.)
- 11) Attach the quick connect power cord with the plug and three pin quick connector to the fixture closest to the outlet. **See Figure 6 and Figure 7.**
- 12) Plug fixture into a 120VAC 60Hz outlet.



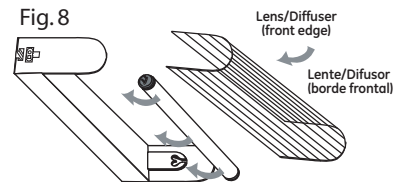
Link Fixtures Up to 22 1/2" Apart

BULB REPLACEMENT INSTRUCTIONS

See the label on the fixture for replacement bulb type information.

Do not replace with any other wattage of fluorescent bulb.

- 1) Turn the fixture off and allow bulb to cool before handling.
- 2) Remove the lens/diffuser by lightly pulling the front edge while pulling downwards. The lens/diffuser should pop out easily. **See Figure 8.**
- 3) Remove the bulb by grasping the ends of the bulb and rotating until the bulb becomes loose. Pull straight out from the lamp holder. Be careful not to drop the bulb. **See Figure 8.**
- 4) Grasp the replacement bulb in the same manner and reinsert into the lamp socket, and turn tube until it is securely held in place. Do not use excessive force when installing bulb.



3 YEAR LIMITED FIXTURE WARRANTY

Jasco Products, warrants that the fixture will be free of defects in material and workmanship for three years from date of purchase. This warranty does not apply to the bulb. This fixture warranty is limited to repair or replacement at Jasco's option. Damage caused by modification, abuse, or misuse is not covered. Jasco makes no other warranty express or implied of merchantability or fitness for a particular purpose. In no event shall Jasco be liable for special, incidental or consequential damages. Some states do not allow limitations on how long an implied warranty lasts and/or do not allow the exclusion of consequential damages, so the above limitations may not apply to you. This warranty gives you specific legal rights and you may also have other rights which vary based on your place of residence. To obtain repair or replacement information under the terms of this warranty, return the fixture and proof of purchase along with owner's name and address, postage prepaid to: Jasco Products Company LLC, 10 E. Memorial Rd., Oklahoma City, OK 73114.

Linkable Fluorescent Undercabinet Fixture

is a trademark of the General Electric Company and is used under license to Jasco Products Company LLC, 10 E. Memorial Rd., Oklahoma City, OK 73114. www.jascoproducts.com.



03/23/10
10167
10168
10169