



# INSTRUCTIONS

## WALL BOX TIME SWITCH

15305

### CAUTION:

Installation by a licensed electrician is recommended. Installation and use of this equipment should be in accordance with provisions of the U.S. National Electrical Code, applicable local codes and pertinent industry standards.

These timers are not to be used in precision timing applications when inaccurate timing could have dangerous consequences such as with sun lamps or in tanning booths.

Do not use to control receptacles.

For indoor use only unless installed in a, NEMA type 3R enclosure.

Use only copper wire.

### Specifications:

20A, 125VAC General Purpose

10A, 250VAC General Purpose

10A, 277VAC General Purpose

7A, 125VAC Tungsten

1HP, 125VAC

1HP, 250VAC

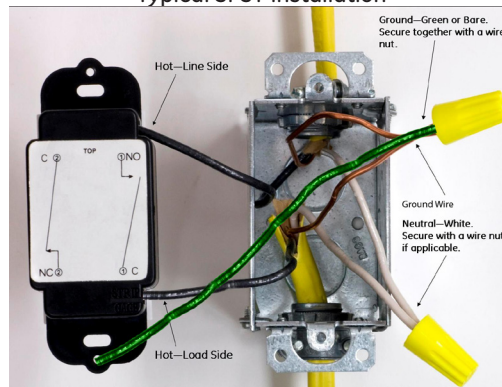


### Installation Instructions

This GE Spring Wound Timer is easy to install and will fit in any standard 2-1/2 inch deep wall box. Timer fits both toggle switch and rocker/decorator switch applications in a single or multi gang vertically installed box setup. Timer will work in single pole, 3-Way, or reverse acting applications. If you are unsure about the installation of this timer please contact a licensed electrician.

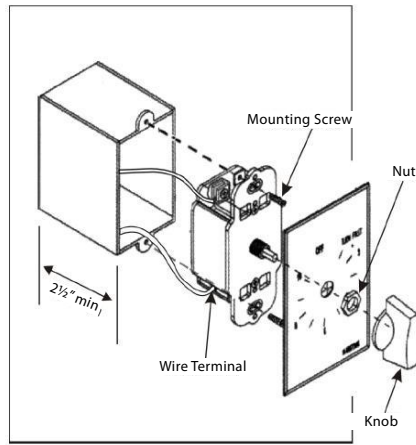
1. Turn power off at circuit breaker or fuse box before installation.
2. Remove current wall plate and current switch from vertically installed wall box.
3. Wires should be stripped 5/16 inch long. Wire Strip gauge on back of timer may be used to measure 5/16 inch.
4. Attach wires to timer by sliding the stripped end of the wires into the timer terminals. Be sure and note the proper wiring for your particular application. See "Applications" section of this manual for more information. Screw terminals down tight to secure the wires to the timer. (See Image Below)
5. Attach ground wire (green) to bare ground in wire box. Use included wire nut and twist together see image of typical SPST installation.

Typical SPST Installation



\* Note – Ground and Neutral are not used by the timer.

6. Insert timer into the 2-1/2" wall box being careful not to pinch any wires. Be sure the TOP (indicated on front of timer) is facing up. Fasten the timer to the wall box using the screws provided.
7. Place provided metal wall plate on timer referring to the appropriate diagram below.



**NOTE:** When using the provided wall plate, screws are not required in order to secure the wall plate. The nut will hold the wall plate in position once assembled.

8. Carefully screw on the provided nut.
9. Push timer knob onto knob extension. Be sure the pointer is lined up with "OFF" on dial plate.
10. Turn power on at the circuit breaker or fuse box.

## Operating Instructions

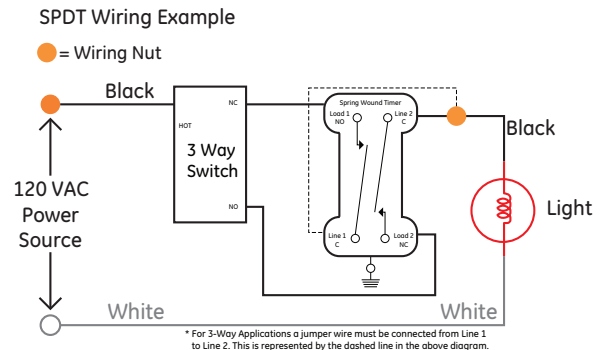
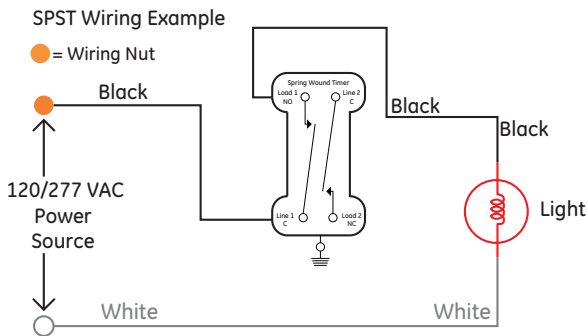
Turn knob clockwise to desired time period.  
 Timer will automatically turn current off at end of period.

## Applications

This timer has multiple pole configurations including SPST, SPDT (3-Way), and DPST. Please see below for an explanation.

### SPST (Lighting, Fans, A/C Units, Small Appliances)

### SPDT (Hallways, Multi-Levels, Large Rooms)



### REVERSE ACTING (Load always on except when timer is engaged)

