

## Ground Fault Receptacle



# Installing and Testing a GFCI Receptacle



Please read this leaflet completely before getting started.

## CAUTION

- To prevent severe shock or electrocution, always turn the power OFF at the service panel before working with wiring.
- Use this GFCI receptacle with copper or copper-clad wire. Do not use it with aluminum wire.
- Do not install this GFCI receptacle on a circuit that powers life support equipment because if the GFCI trips, it will shut down the equipment.
- For installation in damp or wet locations, the GFCI receptacle must be listed and marked as Weather Resistant (WR).
- For installation in wet locations, protect the GFCI receptacle with a weatherproof cover that will keep both the receptacle and any plugs dry.
- Must be installed in accordance with national and local electrical codes.

## 1. What is a GFCI?

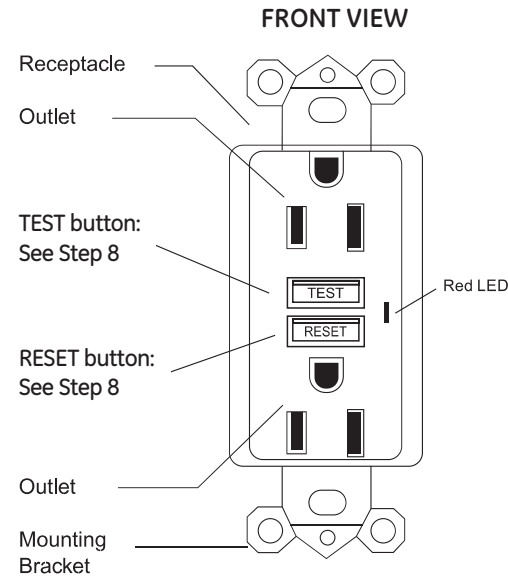
A GFCI receptacle is different from conventional receptacles. In the event of a ground fault, a GFCI will trip and quickly stop the flow of electricity to prevent serious injury.

### Definition of a ground fault:

Instead of following its normal safe path, electricity passes through a person's body to reach the ground. For example, a defective appliance can cause a ground fault.

A GFCI receptacle does NOT protect against circuit overloads, short circuits or shocks. For example, you can still be shocked if you touch bare wires while standing on a non-conducting surface, such as a wood floor.

## 2. The GFCI's features

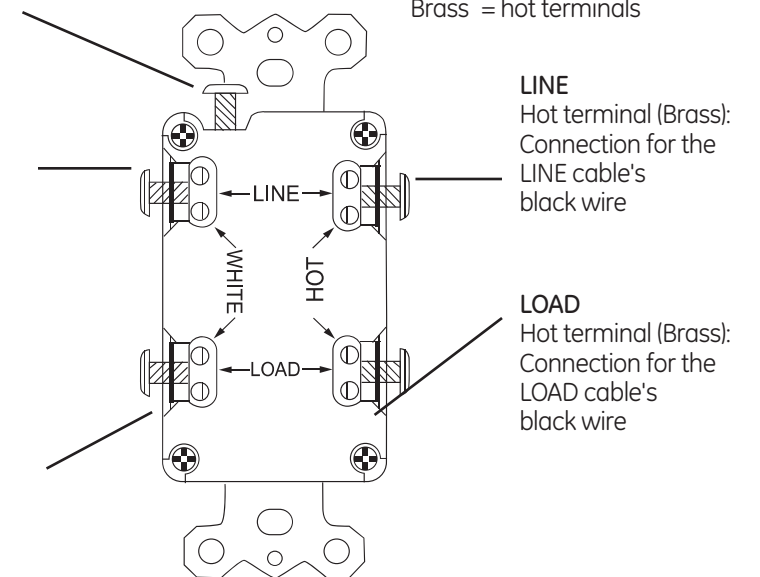


**Grounding Terminal (Green):**  
Connection for bare copper or green wire

**LINE**  
White terminal (Silver):  
Connection for the LINE cable's white wire

**LOAD**  
White terminal (Silver):  
Connection for the LOAD cable's white wire

### BACK VIEW



**Screw (terminal) colors:**  
Green = grounding terminal  
Silver = white terminals  
Brass = hot terminals

**LINE**  
Hot terminal (Brass):  
Connection for the LINE cable's black wire

**LOAD**  
Hot terminal (Brass):  
Connection for the LOAD cable's black wire

## 3. Should you install it?

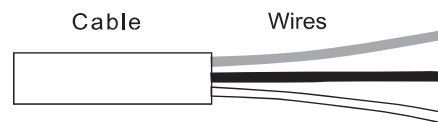
Installing a GFCI receptacle can be more complicated than installing a conventional receptacle.

Make sure that you:

- Understand basic wiring principles and techniques
- Can interpret wiring diagrams
- Have circuit wiring experience
- Are prepared to take a few minutes to test your work, making sure that you have wired the GFCI receptacle correctly

## 4. LINE vs. LOAD

A cable consists of 2 or 3 wires.



### LINE cable:

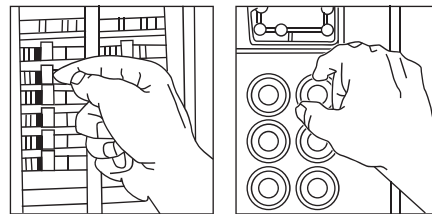
Delivers power from the service panel (breaker panel or fuse box) to the GFCI. If there is only one cable entering the electrical box, it is the LINE cable. This cable should be connected to the GFCI's LINE terminals only.

### LOAD cable:

Delivers power from the GFCI to another receptacle in the circuit. This cable should be connected to the GFCI's LOAD terminals only.

## 5. Turn the power OFF

Plug an electrical device, such as a lamp or radio, into the receptacle on which you are working. Turn the lamp or radio ON. Then, go to the service panel. Find the breaker or fuse that protects that receptacle. Place the breaker in the OFF position or completely remove the fuse. The lamp or radio must turn OFF.



Next, plug in and turn ON the lamp or radio at the receptacle's other outlet to make sure the power is OFF at both outlets. If the power is not OFF, **STOP WORK** and call an electrician to complete the installation.

## 6. Identify cables/wires

### Important:

**DO NOT** install the GFCI receptacle in an electrical box containing (a) more than 4 wires (not including the grounding wires) or (b) cables with more than two wires (not including the grounding wire). Contact a qualified electrician if either (a) or (b) is true.

If you are replacing an old receptacle, pull it out of the electrical box without disconnecting the wires.

- If you see one cable (2-3 wires), it is the LINE cable. The receptacle is probably in position C (see diagram to the right). Remove the receptacle and go to Step 7A.
- If you see two cables (4-6 wires), the receptacle is probably in position A or B (see diagram to the right). Follow steps a-e of the procedure to the right.

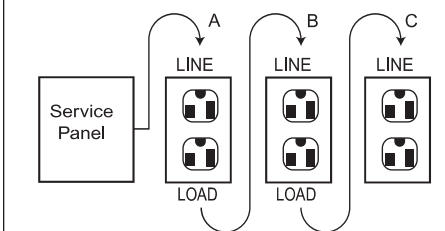
Procedure: Box with two cables (4-6 wires)

- Detach one cable's white and hot wires from the receptacle and cap each one separately with a wire connector. Make sure that they are from the same cable.
- Re-install the receptacle in the electrical box, attach the wallplate, then turn the power ON at the service panel.
- Determine if power is flowing to the receptacle by plugging a lamp or radio into it. If so, the capped wires are the LOAD wires. If not, the capped wires are the LINE wires.
- Turn the power OFF at the service panel, label the LINE and LOAD wires, then remove the receptacle.
- Go to Step 7B.

### Placement in circuit:

The GFCI's place in the circuit determines if it protects other receptacles in the circuit.

### Sample circuit:



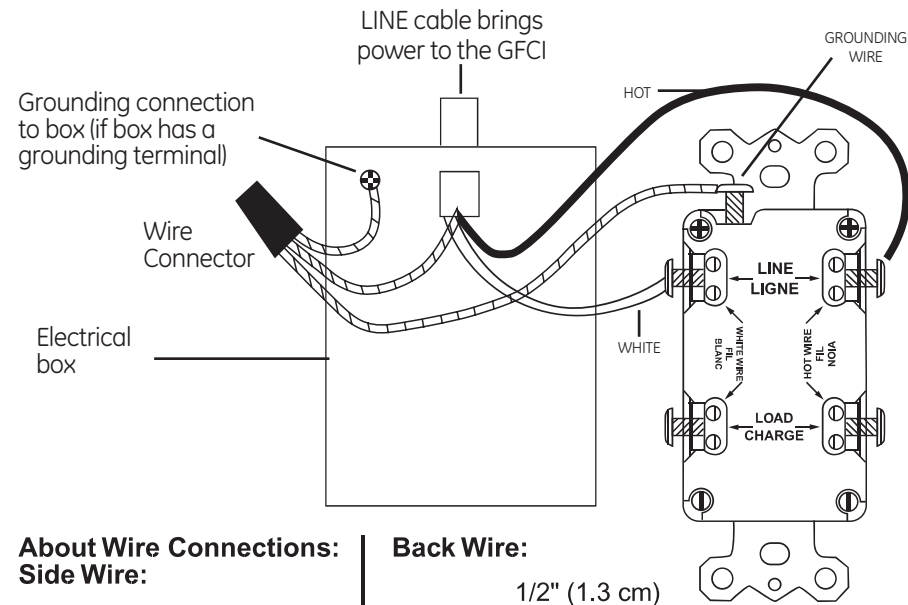
Placing the GFCI in position A will also provide protection to "load side" receptacles B and C. On the other hand, placing the GFCI in position C will not provide protection to receptacles A or B. Remember that receptacles A, B and C can be in different rooms.

## 7. Connect the wires (choose A or B) ... only after reading other side completely

### A: One cable (2 or 3 wires) entering the box

OR

### B: Two cables (4 or 6 wires) entering the box

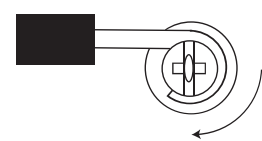


#### About Wire Connections:

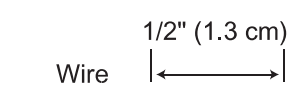
**Side Wire:**



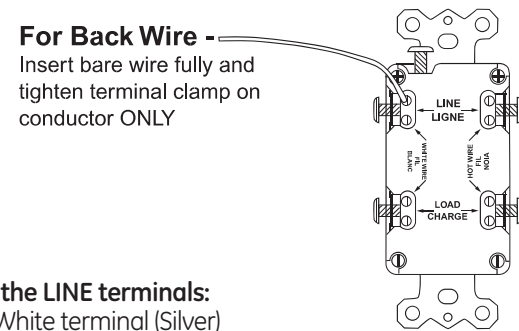
**For Side Wire -**  
Loop clockwise 2/3 of the way around screw



#### Back Wire:



**For Back Wire -**  
Insert bare wire fully and tighten terminal clamp on conductor ONLY



#### Connect the LINE cable wires to the LINE terminals:

- The white wire connects to the White terminal (Silver)
- The black wire connects to the Hot terminal (Brass)

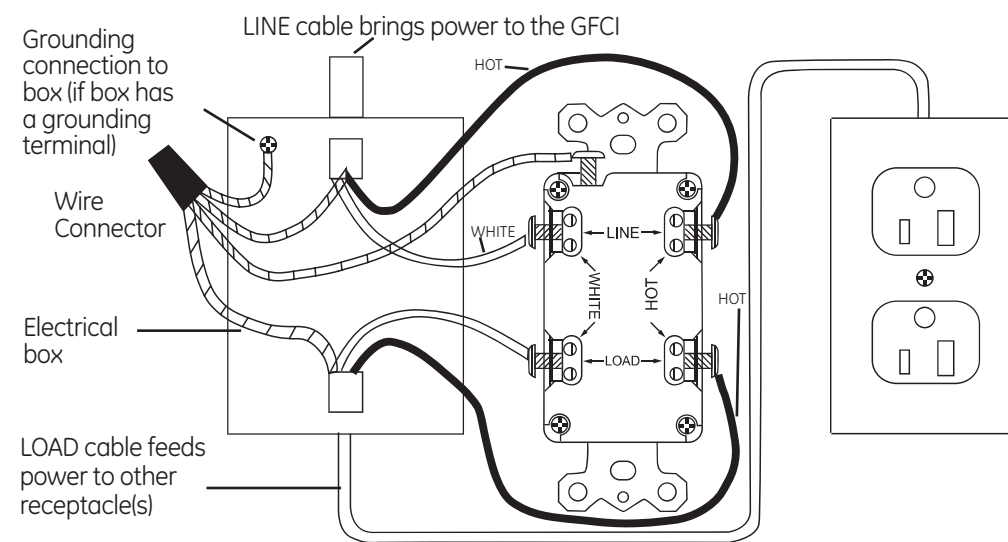
#### Connect the grounding wire (only if there is a grounding wire):

- For a box with no grounding terminal (diagram not shown): Connect the LINE cable's bare copper (or GREEN) wire directly to the grounding terminal on the GFCI receptacle.
- For a box with a grounding terminal (diagram shown above): Connect a 6-inch bare copper (or GREEN) 12 or 14 AWG wire to the grounding terminal on the GFCI. Also connect a similar wire to the grounding terminal on the box. Connect the ends of these wires to the LINE cable's bare copper (or green) wire using a wire connector. If these wires are already in place, check the connections.

#### Complete the installation:

Fold the wires into the box, keeping the grounding wire away from the WHITE and HOT terminals. Screw the receptacle to the box and attach the faceplate.

- Go to Step 8.

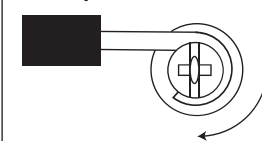


#### About Wire Connections:

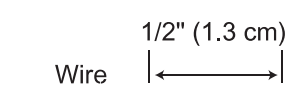
**Side Wire:**



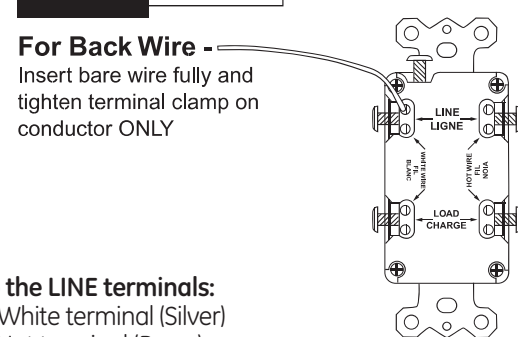
**For Side Wire -**  
Loop clockwise 2/3 of the way around screw



#### Back Wire:



**For Back Wire -**  
Insert bare wire fully and tighten terminal clamp on conductor ONLY



#### Connect the LINE cable wires to the LINE terminals:

- The white wire connects to the White terminal (Silver)
- The black wire connects to the Hot terminal (Brass)

#### Connect the LOAD cable wires to the LOAD terminals:

- The white wire connects to the White terminal (Silver)
- The black wire connects to the Hot terminal (Brass)

#### Connect the grounding wires (only if there is a grounding wire):

- Connect a 6-inch bare copper (or GREEN) 12 or 14 AWG wire to the grounding terminal on the GFCI. If the box has a grounding terminal, also connect a similar wire to the grounding terminal on the box. Connect the ends of these wires to the LINE and LOAD cable's bare copper (or green) wire using a wire connector. If these wires are already in place, check the connections.

#### Complete the installation:

Fold the wires into the box, keeping the grounding wire away from the WHITE and HOT terminals. Screw the receptacle to the box and attach the faceplate.

- Go to Step 8.

## 8. Test your work

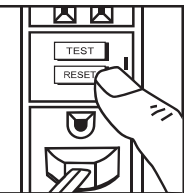
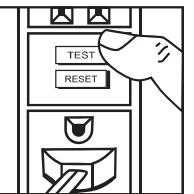
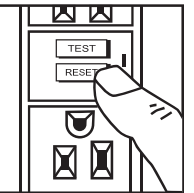
#### Why perform this test?

- If you miswired the GFCI, it may not prevent personal injury or death due to a ground fault (electrical shock).
- If you mistakenly connect the LINE wires to the LOAD terminals, the GFCI can not be reset and there is no power output to the receptacle.

#### Procedure:

- This GFCI is shipped from the factory in the tripped condition and can not be reset until it is wired correctly and power is supplied to the device. Plug a lamp or radio into the GFCI (and leave it plugged in). Turn the power ON at the service panel. Press the RESET button. Make sure the lamp or radio is ON. If the lamp or radio is still OFF or the RESET button cannot turn the power on, go to Troubleshooting section because the LINE and LOAD wiring connection have been reversed.
- Press the TEST button in order to trip the device. This should stop the flow of electricity, making the radio or lamp shut OFF. If the radio or lamp is on, go to Troubleshooting. If the power goes OFF, you have installed the GFCI receptacle correctly. To restore power, press the RESET button.
- If you installed your GFCI using Step 7B, plug a lamp or radio into surrounding receptacles to see which one(s), in addition to the GFCI, lost power when you pressed the TEST button. DO NOT plug life-saving devices into any receptacles that lost power. Place a "GFCI PROTECTED" sticker on every receptacle that lost power.
- When Line-Load is miswired, the GFCI can not be reset and there is no power output to the receptacle.
- The red LED on the faceplate is the indicator of GFCI end-of-life function test. If the red LED begins to light, it means the GFCI has stopped functioning and must be replaced immediately.
- Press the TEST button (then RESET button) every month to assure proper operation.

A Self-Test GFCI receptacle has all the features of a conventional GFCI receptacle. In addition, this receptacle tests itself periodically to confirm the GFCI electronics are functional.



#### TROUBLESHOOTING

Turn the power OFF and check the wire connection against the appropriate wiring diagram in Step 7A or 7B. Make sure that there are no loose wires or loose connections. Start the test from the beginning of Step 8 if you rewired any connections to the GFCI.

#### General Information

GFCI ratings:  
GFR4101, GFR4102, GFR4105, GFR4107,  
GFR4109, GFR4111  
120V AC, 60Hz  
15A at outlet, 20A at feed-through  
Self-test GFCI

MADE IN CHINA

GE is a trademark of General Electric Company and is under license by Jasco Products Company LLC, 10 E. Memorial Rd., Oklahoma City, OK 73114.

This Jasco product comes with a 2-year limited warranty. Visit [www.byjasco.com](http://www.byjasco.com) for warranty details.

Questions? Contact us at 1-800-654-8483 between 7:00AM—8:00PM CST.