

Direct Wire Push Button



Replaces existing wired doorbell button

Note: This button is not for use on doorbell systems which exceed 24 volts.

Not intended for use in direct rain.

Required tools: #2 Philips screwdriver & small flat blade screwdriver

Installation

Push buttons are typically mounted at the same height as the door knob or handle between 36" and 44" above the floor.

- 1) Use a small flat blade screwdriver to release the cover of the GE push button.
- 2) Gently remove contact cover to view screw terminals. (See figure 1)

Mounting screws included inside the push button housing.

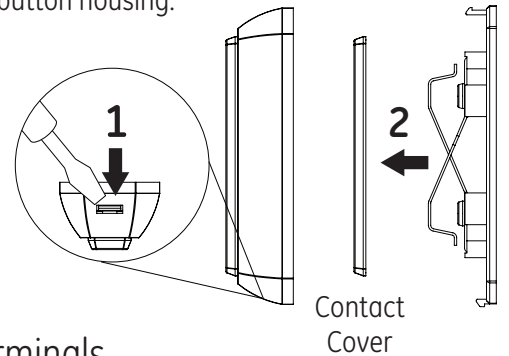


FIGURE 1

- 3) Turn off power at fuse box or circuit breaker.
- 4) Remove the old push button and detach the wires.
- 5) Locate the two door chime wires connected to the existing door chime circuit.

- 6) Attach one wire to each of the screw terminals on the back of the GE push button. (See figure 2)
- 7) Mount button in desired location with the two screws provided. **Ensure the arrow on the back housing is pointing upwards.** Install according to applicable local electrical codes.

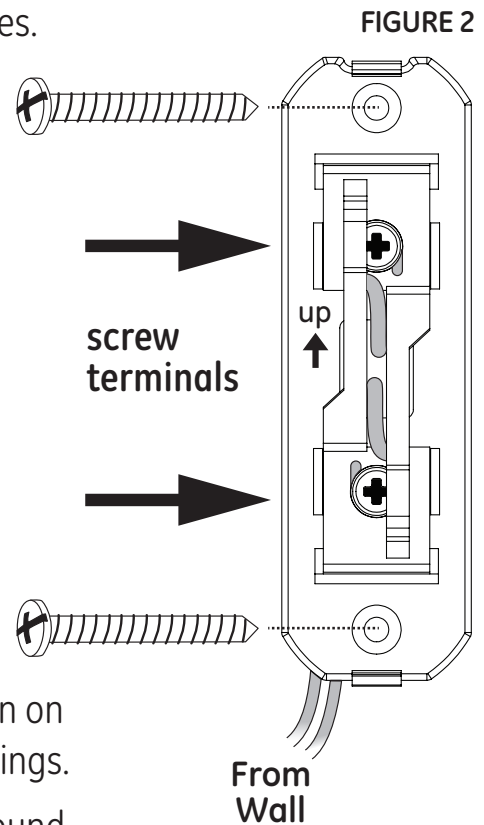


FIGURE 2

- 8) Replace contact cover. **Ensure the arrow on back of the contact cover is pointing upward.**
- 9) Snap the front housing in place. The slot to open the housing should be facing downward. Turn on power on circuit breaker. Test to ensure door bell rings.

TROUBLE SHOOTING: If the door chime does not sound, test the door chime by touching the two wires together, completing the circuit. If it still does not sound, check the transformer or chime.



Form wire clockwise 3/4 around terminals, do not overlap