



Circuit Tester

52060

Know if outlets are "live"

Important: When using, be careful not to touch live wires or the metal leads of the tester. This is not a diagnostic instrument and is not intended to detect a combination of defects in a wiring circuit. It is a simple tester for detecting the presence of voltages between 90 and 300 volts. Voltages less than 90 volts may be present but may not be detected by this device. Any indication of wiring faults should be referred to a qualified electrician for correction.

How to Test Outlets:

Determine if the circuit is live by inserting the tester leads into the outlet slots. Tester will glow if circuit is live.

Check a 3 SLOT-120VAC grounding outlet by inserting one lead into the hot (narrow) slot and the other lead into the U-shaped ground slot. Tester should glow. Then test between wide side (neutral) and "U" shaped (ground). Tester should NOT glow.

Check a 2-SLOT-120VAC outlet by inserting one lead into the hot (narrow) slot and the other into the wide slot. Tester should glow. To determine hot wire on 2 wire circuits, insert one probe into the narrow slot and touch the other probe to the metal mounting screw or metal plate. If screw is grounded, tester will glow. Remaining slot is the neutral.

3 SLOT-240VAC Receptacles: Test for normal (110V) glow between round hole (ground) and either hot side. Note brighter glow (220V) across both hot sides.

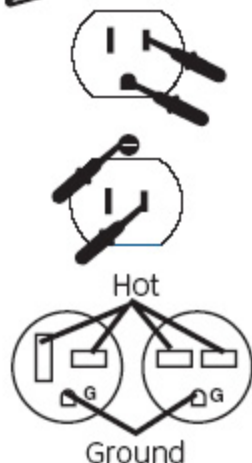
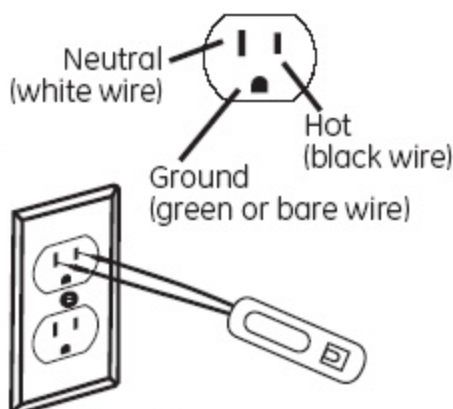
Note: If circuit is properly grounded, tester will glow with same brightness as for live circuit. If brightness is less for ground slot, refer the condition to a qualified electrician.

Made in China



is a trademark of General Electric Company and is used under license to Jasco Products Company LLC, 311 N.W. 122nd Street, Oklahoma City, OK 73114. www.jascoproducts.com

IN52060-1 REV 1/13/2006 GE2598-01D



LISTED

96TJ
Voltage
Tester

WARNING

Risk of electric shock

- Use extreme caution when checking live electrical circuits
- Do not hold metal part of tester leads